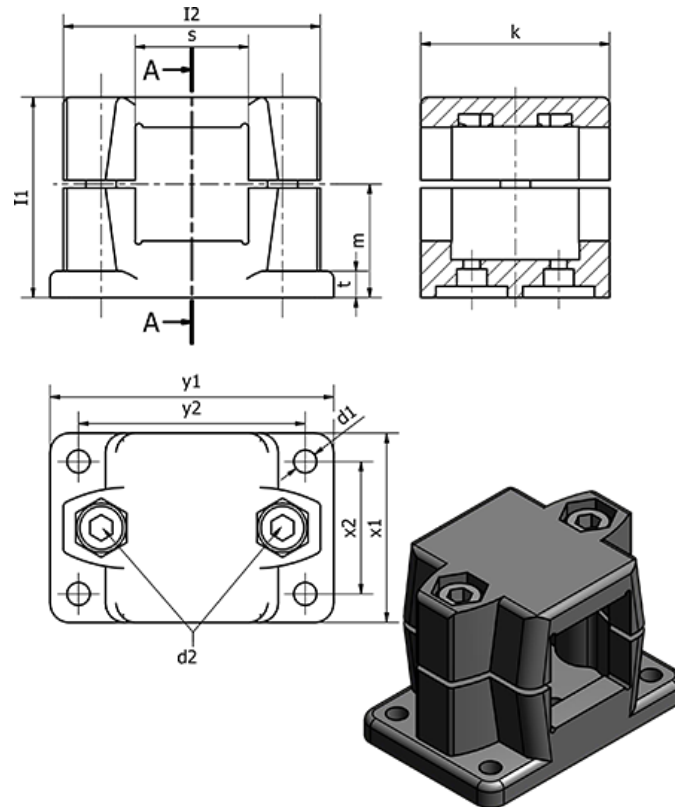


Article number: 201471V302SW

Description: E+G Tube connector - GN 147.1-V30-2-SW

Measures



Clamping kit for d3 = GN 911-M8-45

d1 = 6.5
 d2 = M8
 d3 = M4
 l1 = 53
 l2 = 68
 k = 50
 m = 30

s = V30
 t = 7
 Weight (g) = 221
 x1 = 50
 x2 = 35
 y1 = 75
 y2 = -